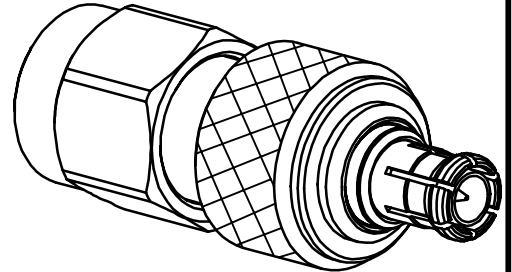
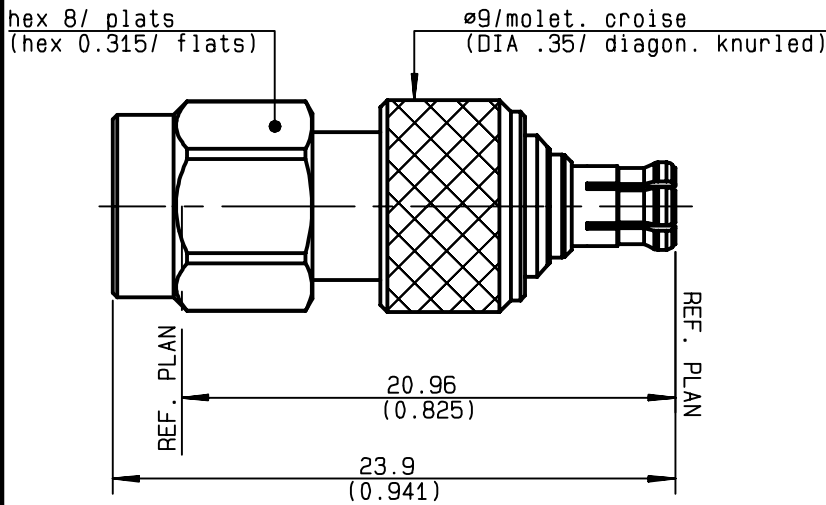


SMA MALE - MCX MALE STRAIGHT ADAPTER

R191.385.000
SERIES ADAPT



NOMINAL IMPEDANCE	50 Ω
FREQUENCY RANGE	0-6 GHz
TEMPERATURE RATING	-55/+155 °C
V.S.W.R	1.20* + x F(GHz)Maxi
RF INSERTION LOSS	0.25 √F(GHz) dB Maxi
VOLTAGE RATING	500 Veff Maxi
DIELECTRIC WITHSTANDING VOLTAGE	1000 Veff Mini
INSULATION RESISTANCE	1000 MΩMini
HERMETIC SEAL	NA Atm.cm ³ /s
LEAKAGE (pressurized only)	NA
MECHANICAL DURABILITY	500 Cycles
WEIGHT	5.35 gr
SPECIFICATION	

CABLES :

OTHERS CHARACTERISTICS

*** 1.10 at 3GHz - 1.20 at 6GHz**

CABLE RETENTION	N Mini
CENTER CONTACT RETENTION	
Axial force - mating end	10 N Mini
Axial force - opposite end	10 N Mini
Torque	NA cm.N Mini
RECOMMENDED TORQUES	
Mating	100 cm.N
Panel nut	NA cm.N
Clamp nut	NA cm.N

CONNECTOR PARTS	MATERIALS	FINISH
BODY	STAINLESS STEEL	GOLD 0.5 OVER NICKEL 2
OUTER CONTACT	BERYLLIUM COPPER	GOLD 0.5 OVER NICKEL 2
CENTER CONTACT	BRASS	GOLD 1.3 OVER NICKEL 2
INSULATOR	PTFE	-
GASKET	SILICONE RUBBER	-
OTHERS PIECES	STAINLESS STEEL	GOLD 0.2 OVER NICKEL 2

(all values are given in micrometers)

ISSUE	CREATION DATE	FILE PART-NUMBER
0204A00	10/06/1998	96-1200-110



RADIALL®

LELEU

The information given here is subject to change without notice. Design changes may be in order to improve the product.

Connect to the future